



## N Female T Piece Adapter (3 Way Splitter)

**McGill Part No:** TP-NF-NF-NF

McGill Microwave are a leading supplier of in-series and inter-series precision RF adapters, covering the full frequency range DC-110 GHz.

All interface types and style are available from Ultra High Performance, Precision Metrology grade to general purpose use including Hermetically Sealed versions and high corrosion resistance Stainless Steel designs.

The McGill Microwave Systems N Type Female T piece Adapter (TP-NF-NF-NF) provides the ideal solution to pass RF/ Microwave frequencies to 3 GHz where the signal is required to be split from a single N type Male connection to dual N type Male connections.

They can be used in a variety of applications or as an in-line jointing solution to connect three devices or cables fitted with N type Male connectors together and offers an industry leading ultra low VSWR performance of <1.15:1 maximum to 3 GHz.

Electrical Specifications	
Item	Value
Impedance	50 Ω
Frequency Range	DC-3GHz
VSWR	≤1.15
Withstand Voltage	500V rms
Contact Resistance (Centre)	< 1mΩ
Contact Resistance (Outer)	< 0.2mΩ
Insulation Resistance	>5000MΩ

Mechanical Specifications	
Item	Value
Temperature Range	-65 / +165 °C
Mating Cycles	>500
Connector A	N Female
Connector B	N Female
Connector C	N Female

Material Specifications		
Item	Base Material	Plating
Body	Brass	Tri-Albaloy
Centre Conductor	Brass	Gold
Insulator	PTFE	N/A

### Contact us for more details

Unit 5, Block 9 Mitchelston Ind Est, Kirkcaldy, Fife, KY1 3PE, UK

Email: [contact@mcgillmicrowave.com](mailto:contact@mcgillmicrowave.com)

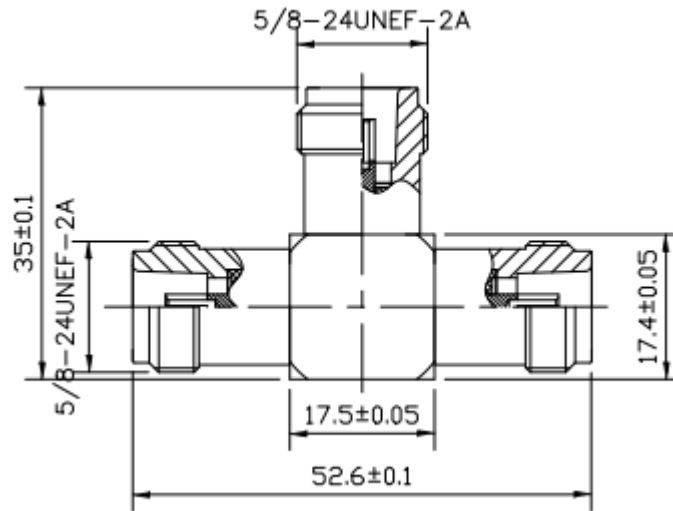
Tel: UK +44 (0)1592 655428





## N Female T Piece Adapter (3 Way Splitter)

McGill Part No: TP-NF-NF-NF



Interface Standards
IEC 60169-16
MIL-C-39012
CECC22210

### Contact us for more details

Unit 5, Block 9 Mitchelston Ind Est, Kirkcaldy, Fife, KY1 3PE, UK

Email: [contact@mcgillmicrowave.com](mailto:contact@mcgillmicrowave.com)

Tel: UK +44 (0)1592 655428

