



N MALE—SMA MALE ADAPTOR



McGill Part No: NM-SM-ADPT

McGill Microwave are a leading supplier of in-series and inter-series precision RF adaptors, covering the full frequency range DC-110 GHz.

All interface types and style are available from Ultra High Performance, Precision Metrology grade to general purpose use including Hermetically Sealed versions and high corrosion resistance Stainless Steel designs.

The McGill Microwave Systems N Type Male to SMA Male (NM-SM-ADPT) provides the ideal solution to join both an N Female and SMA Female connector and pass RF/Microwave frequencies to 6 GHz, whilst offering an industry leading low VSWR performance of 1.2:1 Maximum.

Electrical Specifications	
Item	Value
Impedance	50 Ω
Frequency Range	DC-6GHz
VSWR	≤1.2(DC-6GHz) ≤1.15(DC-6GHz)
Working Voltage	335V max
Withstand Voltage	1000V rms
Contact Resistance (Centre)	< 1mΩ
Contact Resistance (Outer)	< 1mΩ
Insulation Resistance	>5000MΩ

Mechanical Specifications	
Item	Value
Temperature Range	-55 / +155 °C
Mating Cycles	>500
Connector A	N Male
Connector B	SMA Male

Material Specifications		
Item	Base Material	Plating
Body	Brass	Nickel & Gold
Centre Conductor	Phosphor Bronze	Gold
Gasket	Silicone Rubber	N/A
Insulator	PTFE	N/A

Contact us for more details

Unit 5, Block 9, Muirhead, Mitchelston Ind Est, Kirkcaldy, Fife, KY1 3PE, UK

Email: contact@mcgillmicrowave.com

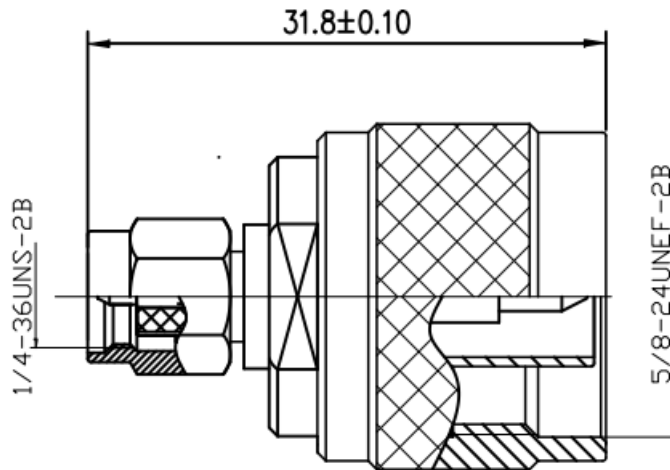
Tel: UK +44 (0)1592 655428





N FEMALE—SMA MALE ADAPTOR

McGill Part No: NF-SM-ADPT



Interface Standards
IEC 60169-16
MIL-C-39012
CECC22210

Contact us for more details

Unit 5, Block 9, Muirhead, Mitchelston Ind Est, Kirkcaldy, Fife, KY1 3PE, UK

Email: contact@mcgillmicrowave.com

Tel: UK +44 (0)1592 655428

